

REFLECTING PARABOLA FOCUSING HEADS

PROVIDING ADVANCED

SOLUTIONS FOR

LASER DELIVERY SYSTEMS

LASER MECH

REFLECTING PARABOLA FOCUSING HEADS

Laser Mechanisms' Reflecting Parabola Focusing Heads come in a variety of styles to satisfy even the most demanding industrial requirements. Our most popular heads feature:

- Fixed Input with Preset Index Swivel, Adjustable Beam Separation and Fixed Focus Housing
- Fixed Input with 360° Swivel, Air Knife, Interlocks, and Parabola Positioning and Referencing Using 1° Incremental Markings

All units use 49.5 mm diameter, solid copper, 90 degree off-axis, parabolic focusing mirrors (PLPDS0075 uses 75 mm diameter mirrors) which are attached to mechanically isolated water cooling manifolds. All mirrors are uncoated for easy maintenance with appropriate cleaning techniques.

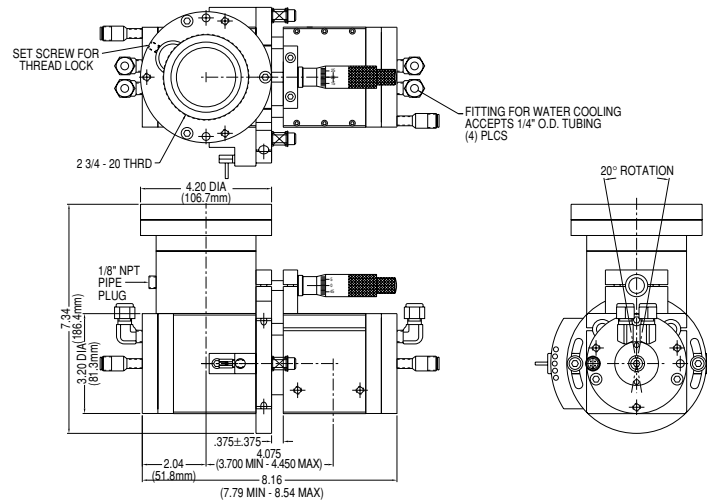
Input mirrors are either solid 90 degree flats of similar shape to the parabolas, or standard disc shaped mirrors for the beam bender input devices.

- All models have air knife and concentric gas jet nozzle options
- Interlock proximity switches are also optionally available for the mirrors
- Various quick connect or tilt plate input connections are available. Custom adapters available for any focusing head
- Stock focal distances from 125 mm through 300 mm are available in 25 mm increments
- Beam alignment targets are also optionally available for our variety of parabola assemblies

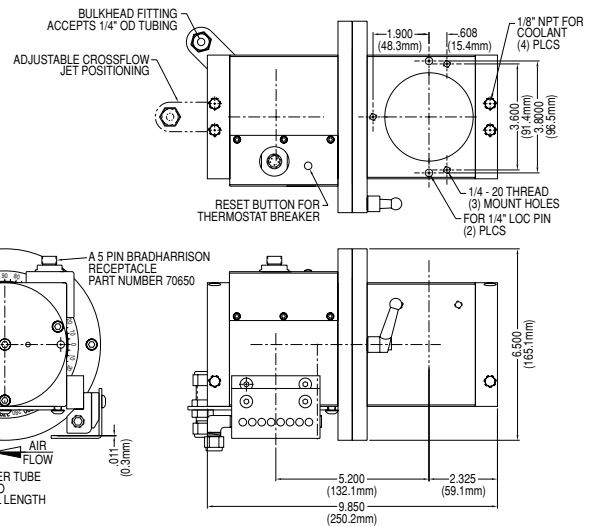
Model PLPDS0058 Fixed Input with Preset Index Swivel, Adjustable Beam Separation, Fixed Focus Housing and 49.5 mm Optics

Model PLPDS0068 Fixed Input with 360° Swivel, Air Knife, Interlocks, Parabola Positioning and Referencing Using 1° Incremental Markings, and 49 mm Optics

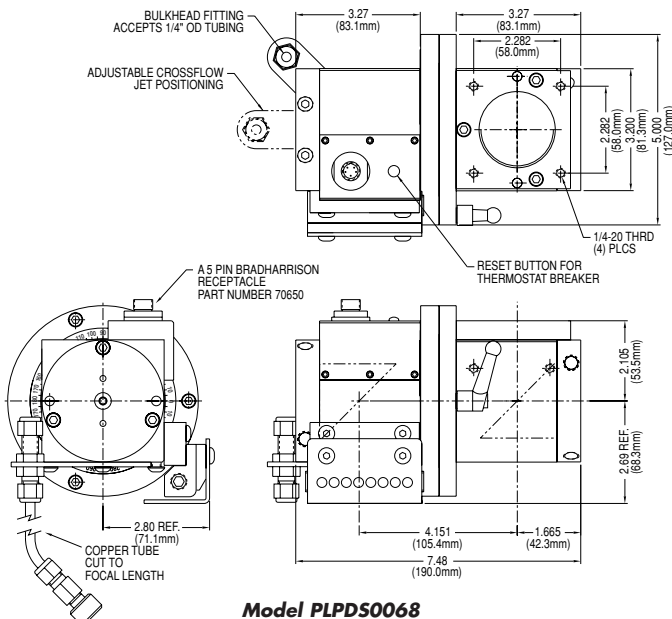
Model PLPDS0075 Fixed Input with 360° Swivel, Air Knife, Interlocks, Parabola Positioning and Referencing Using 1° Incremental Markings, and 75 mm Optics



Model PLPDS0058



Model PLPDS0075



Model PLPDS0068



25325 Regency Drive • Novi, Michigan 48375 USA
 Phone: (248) 474-9480 • Fax: (248) 474-9277
 In Europe: Phone: +32(0)92 18 70 70 • Fax: +32(0) 92 18 70 79
 Web: www.lasermech.com • E-Mail: info@lasermech.com

DISTRIBUTED BY: _____